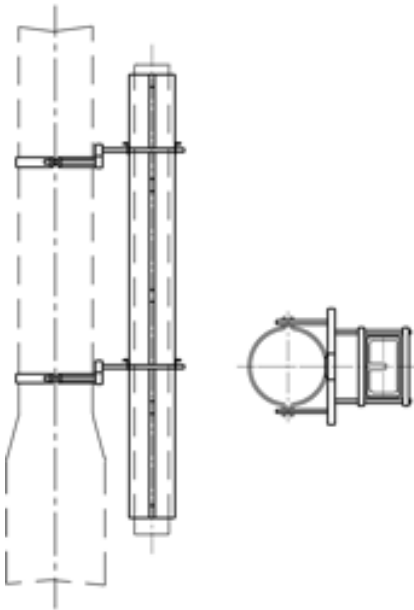


100267

**COUNTERWEIGHT GUIDE BRACKET FOR COUNTERWEIGHT ASSEMBLY,
WITH SQUARE CAGE TO ROUND POLE**



COMMENTS

- Pole clamp for round poles Part no.
C1139-... (2 pcs.)(to be ordered separately)

PART LIST

2	C0916-03
1	D1080-01