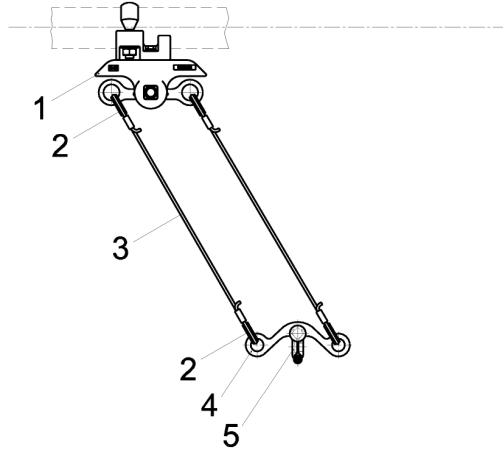


103315

## CONTACT WIRE SUSPENSION ETB WITH LINE INSULATOR KUSYS, IN TANGENT TO PIPE G2" 0-2.5° PENDULUM



### SPECIFICATIONS

Operating voltage: max. 1500 V DC

### COMMENTS

- Line insulator GRP/SST/Al
- Accessories SST
- Contact wire clamps CuAl

### REPLACEMENT OF 101777

### PART LIST

1	C2366-02
4	D0719-01
2	D2164-01
1	C1636-01
2	D0134-01