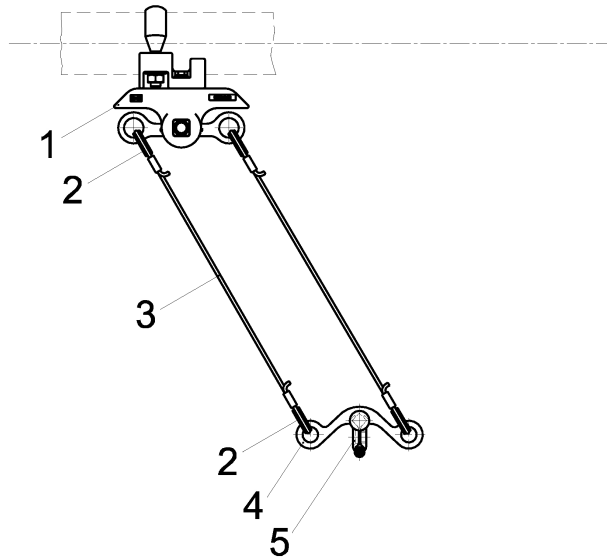


103346

**CONTACT WIRE SUSPENSION ETB WITH LINE INSULATOR TYPE 1, IN  
TANGENT  
TO PIPE G2.5" 0-2.5° PENDULUM**



**SPECIFICATIONS**

Operating voltage: max. 1500 V DC

**COMMENTS**

- Line insulator GRP/SST/Al
- Accessories SST
- Contact wire clamps CuAl

**REPLACEMENT OF  
101787**

**PART LIST**

|   |          |
|---|----------|
| 1 | C2366-03 |
| 4 | D0719-01 |
| 2 | D2164-01 |
| 1 | C1636-01 |
| 2 | D0134-01 |