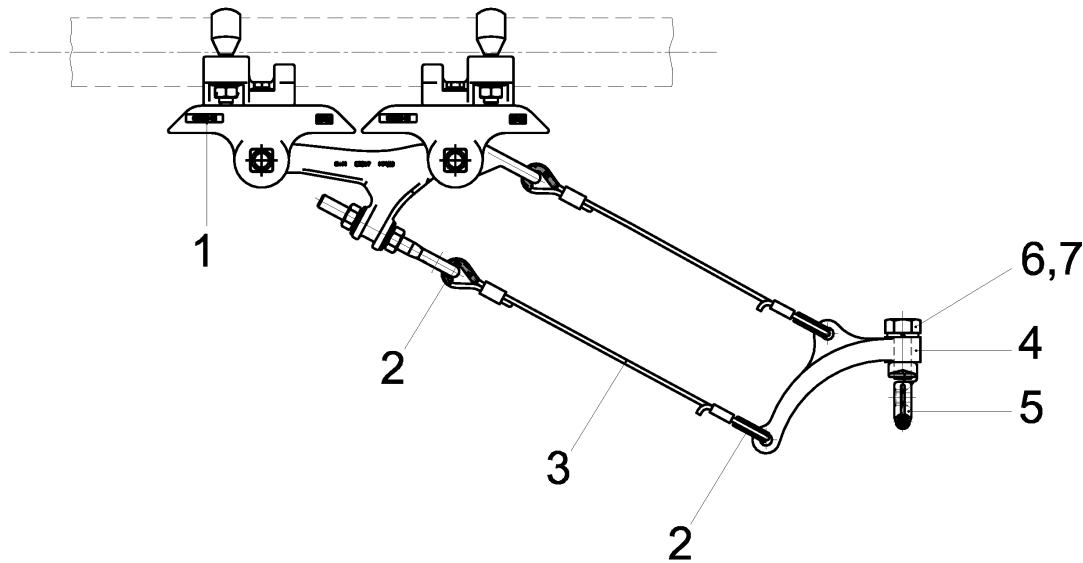


103390

**CONTACT WIRE SUSPENSION ETB WITH LINE INSULATOR TYPE 2, IN  
CURVES TO PIPE G2" 10.5-14° WITH CURVE RAIL TYPE 3, M16**



**SPECIFICATIONS**

Operating voltage: max. 1500 V DC

**COMMENTS**

- Line insulator GRP/SST/Al
- Accessories SST
- Curve rails M16 STL HGD

**REPLACEMENT OF  
102929**

**PART LIST**

1	C2376-02
8	D0719-01
4	D1340-05
2	D1969-01
1	B0412-08
2	351610
2	350496