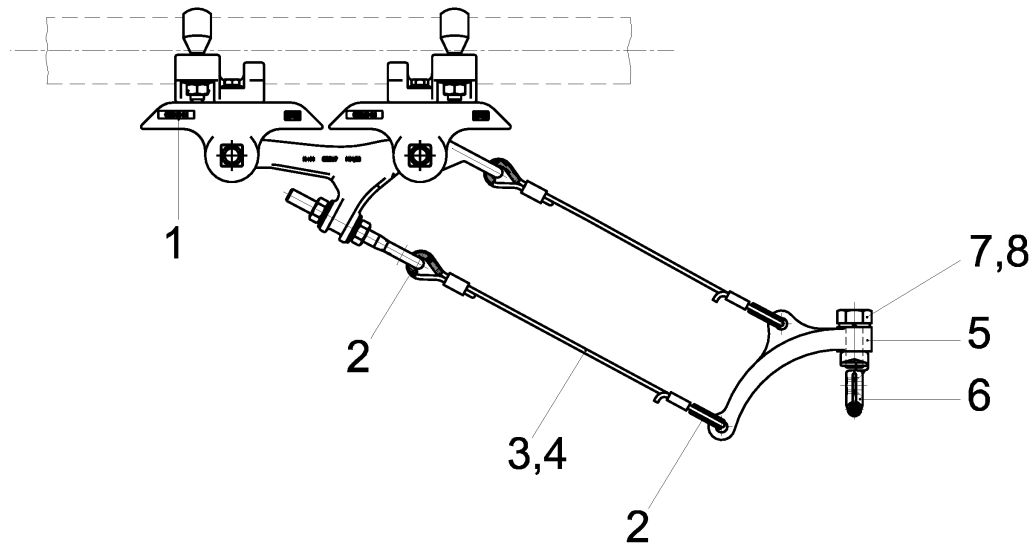


103391

**CONTACT WIRE SUSPENSION ETB WITH LINE INSULATOR KUSYS 2, IN CURVES TO PIPE G2" 14.5-30° WITH CURVE RAIL TYPE 4, M16**



**SPECIFICATIONS**

Operating voltage: max. 1500 V DC

**COMMENTS**

- Line insulator GRP/SST/Al
- Accessories SST
- Curve rails M16 STL HGD

REPLACEMENT OF  
102930

**PART LIST**

1	C2376-02
12	D0719-01
2	D1340-04
4	D1340-06
3	D1969-01
1	B0412-09
3	351610
3	350496