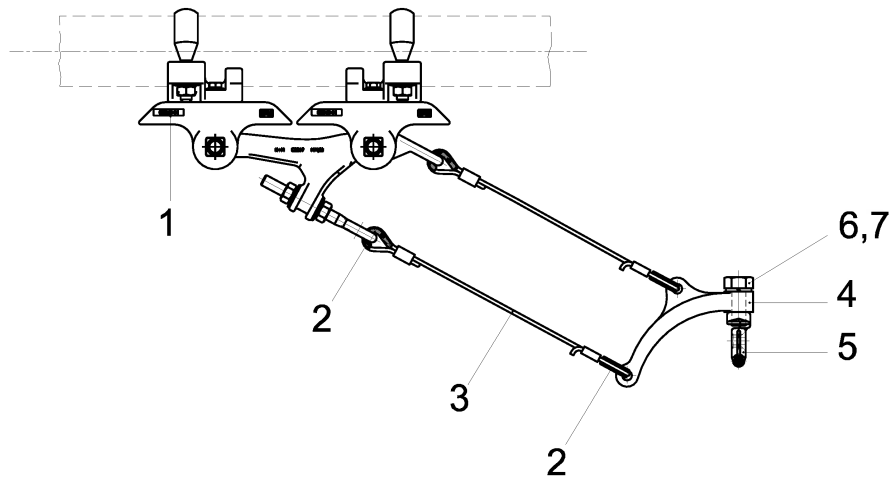


103392

CONTACT WIRE SUSPENSION ETB WITH LINE INSULATOR TYPE 2, IN CURVES

TO PIPE G2.5" 3-5° WITH CURVE RAIL TYPE 0, M16



SPECIFICATIONS

Operating voltage: max. 1500 V DC

COMMENTS

- Line insulator GRP/SST/Al
- Accessories SST
- Curve rails M16 STL HGD

REPLACEMENT OF 101813

PART LIST

1	C2376-03
4	D0719-01
2	D1340-04
1	D1969-01
1	B0412-05
1	351610
1	350496