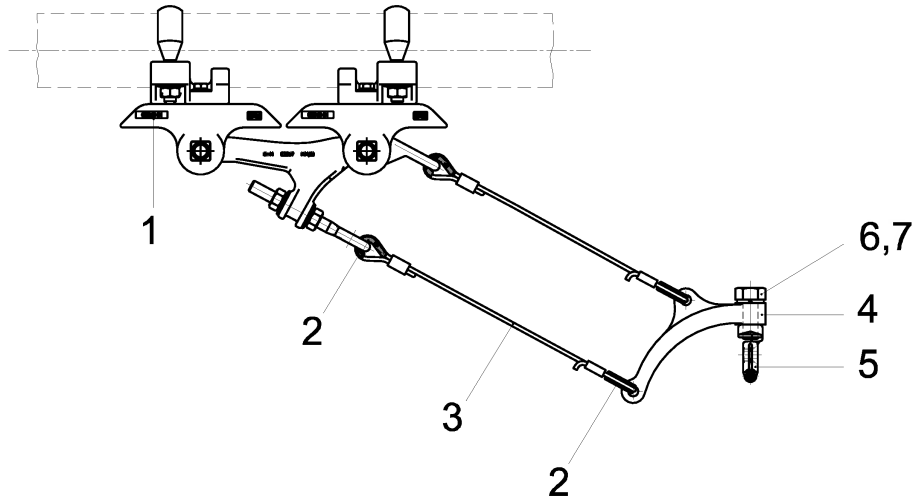


103393

**CONTACT WIRE SUSPENSION ETB WITH LINE INSULATOR TYPE 2, IN
CURVES TO PIPE G2.5" 5.5-7.5° WITH CURVE RAIL TYPE 1, M16**



SPECIFICATIONS

Operating voltage: max. 1500 V DC

COMMENTS

- Line insulator GRP/SST/Al
- Accessories SST
- Curve rails M16 STL HGD

**REPLACEMENT OF
101814**

PART LIST

1	C2376-03
4	D0719-01
2	D1340-04
1	D1969-01
1	B0412-06
1	351610
1	350496