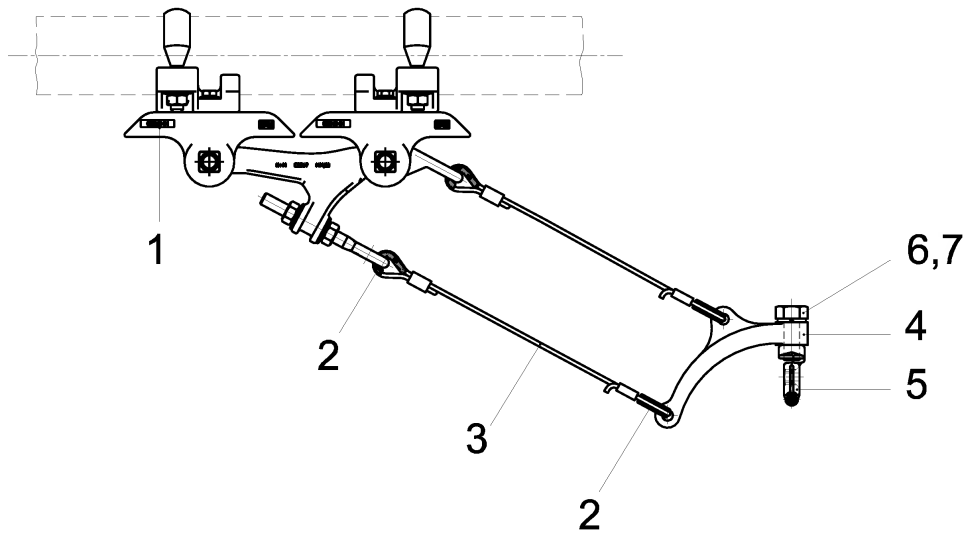


103394

**CONTACT WIRE SUSPENSION ETB WITH LINE INSULATOR TYPE 2, IN
CURVES TO PIPE G2.5" 8-10° WITH CURVE RAIL TYPE 2, M16**



SPECIFICATIONS

Operating voltage: max. 1500 V DC

COMMENTS

- Line insulator GRP/SST/Al
- Accessories SST
- Curve rails M16 STL HGD

**REPLACEMENT OF
101815**

PART LIST

1	C2376-03
8	D0719-01
4	D1340-05
2	D1969-01
1	B0412-07
2	351610
2	350496