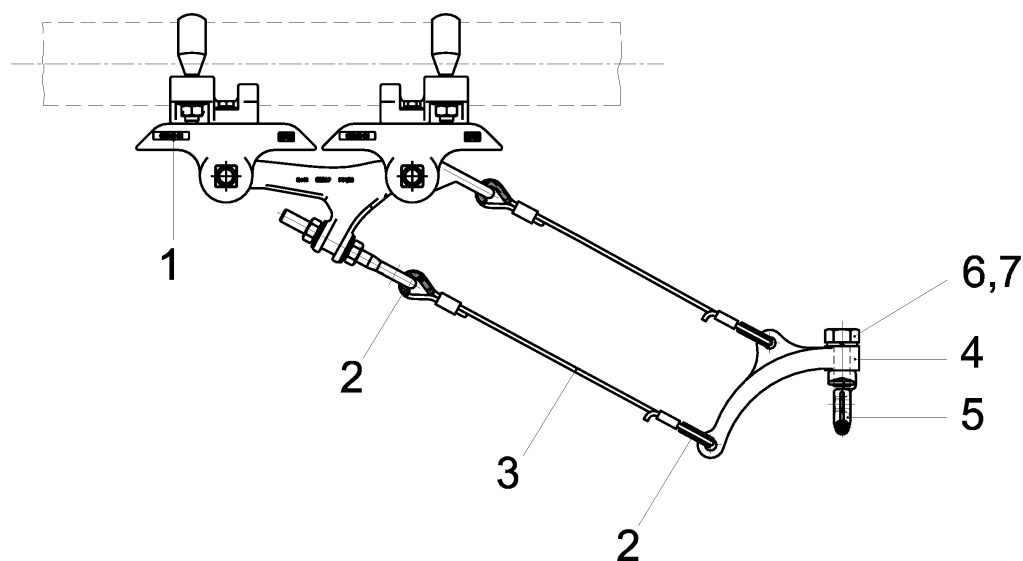


103396

**CONTACT WIRE SUSPENSION ETB WITH LINE INSULATOR TYPE 2, IN
CURVES TO PIPE G2.5" 14.5-30° WITH CURVE RAIL TYPE 4, M16**



SPECIFICATIONS

Operating voltage: max. 1500 V DC

COMMENTS

- Line insulator GRP/SST/Al
- Accessories SST
- Curve rails M16 STL HGD

**REPLACEMENT OF
101817**

PART LIST

1	C2376-03
12	D0719-01
2	D1340-04
4	D1340-06
3	D1969-01
1	B0412-09
3	351610
3	350496