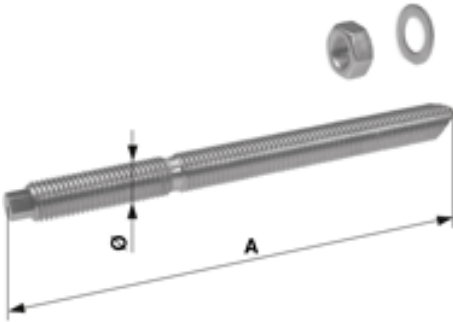


301201

DOWN GUY HAS-R, M16 X 260, SST



DIMENSIONS

A: 260 mm

Ø: M16

LOADS

Max. perm. load transverse: 24.7 kN

Max. perm. load vertical: 21.9 kN

COMMENTS

- Type of adhesive anchor with expanding-free anchoring in case of small edge distances
 - Application for standard concrete
 - Is composed of composite fail adhesive capsule and anchor rod
 - Nominal diameter of the drill: 18 mm
 - All adhesive anchor bolts must be mounted with rotary percussion
 - Please pay attention to the special regulations of the technical data sheet when mounting
 - Please order the mounting tools separately
- Conditions:
- All values are valid only with good quality of the concrete and if the installation procedures are followed carefully