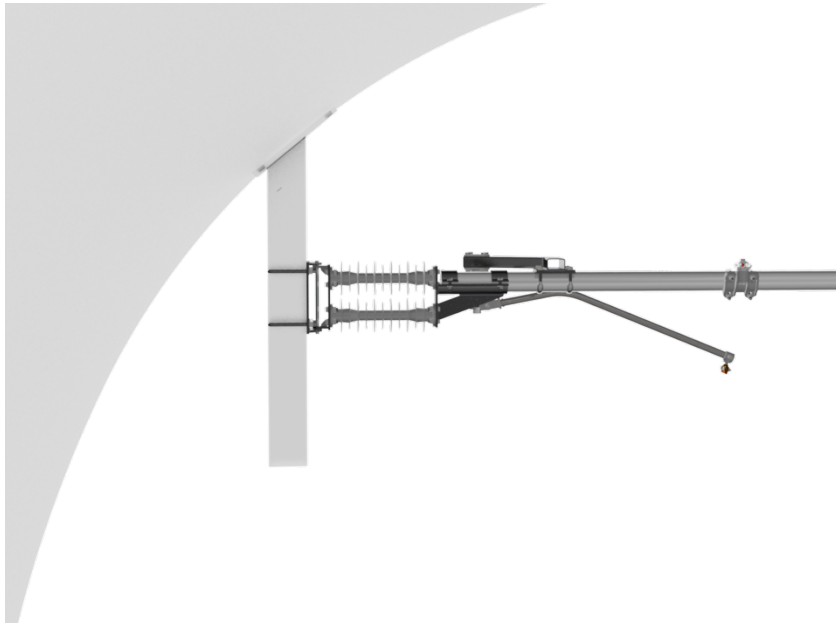


820011

CANTILEVER TUNNEL, SH=500, PULL



DIMENSIONS

System height = 500 mm

Cantilever length = 1765 mm

Steady arm length = 1100 mm

Pipe diameter = 88.9/5 mm

MATERIAL AND WEIGHT

Pipe: hot-dip galvanised steel

Fittings: cast aluminium

Connectors: stainless steel

Steady arm: stainless steel

Mast bracket: hot-dip galvanised steel

Insulator: GFRP/silicone

Weight: ~53 kg

APPLICABLE STANDARDS

EN50119

EN50163

SPECIFICATIONS

Mast type: Square pipe 140/140/6

Insulator creepage distance = 1241 mm

Contact wire = copper 107 or 120 mm²

Messenger wire = bronze 70 mm²

Highest continuous voltage = 27.5 kV AC

PART LIST

0 00170 00

Kummler+Matter AG
Hohlstrasse 188
Postfach
CH-8004 Zürich

Telefon +41 44 247 47 47
Telefax +41 44 247 47 77
kuma@kuma.ch
www.kuma.ch



Kummler+Matter