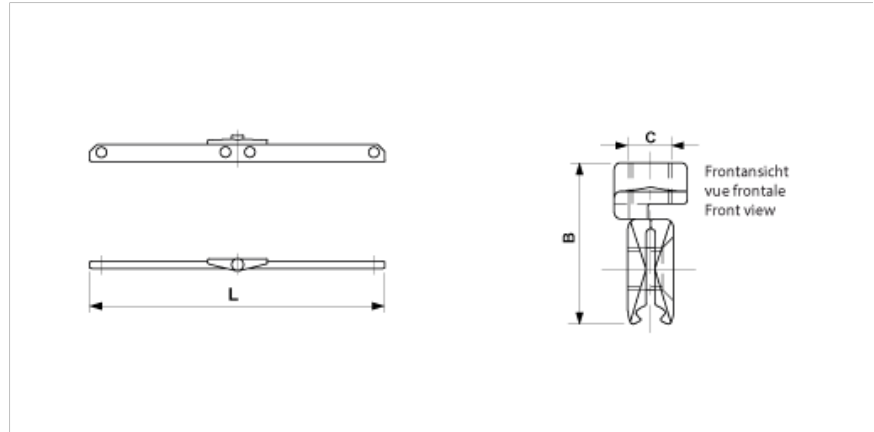


B0412-05

**CURVE RAIL TYPE 0, FOR DEVIATION ANGLE 3° - 5°, WITH THREAD M16,
FOR GROOVED CONTACT WIRE 100-120 MM²**



DIMENSIONS

C: M16

B: 52 mm

L: 600 mm

MATERIAL AND WEIGHT

Weight: 2.000 kg

Material: STL HDG

COMMENTS

- The indication of the angles apply for grooved contact wires up to 107 mm²;