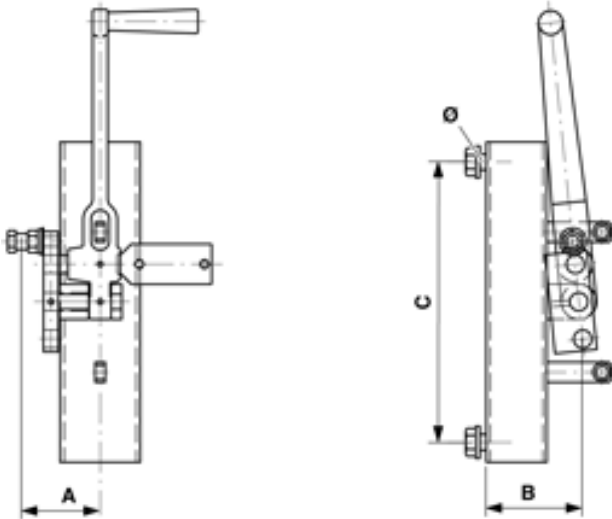


B1179-01

MANUAL OPERATION, LIFTING 75/120 MM WITHOUT INDICATION SIGN



DIMENSIONS

B: 95.5 mm

C: 280 mm

Ø: M16

A: 78 mm

MATERIAL AND WEIGHT

Weight: 5.750 kg

Material: STL HDG

COMMENTS

- For disconnect switch Duplex 3.6 kV
- For disconnect and change-over switches with horns 3.0 kV
- Indication sign to be ordered separately
- Switch lockable in both positions by means of padlock