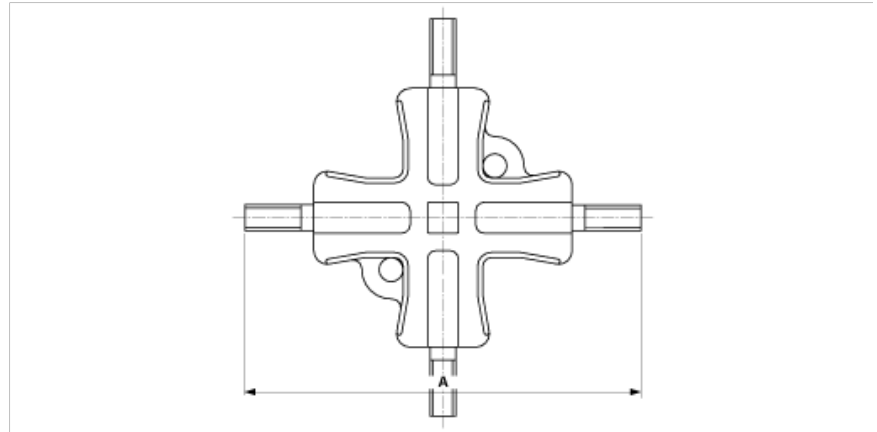


C1048-01

CROSSING PIECE ETB-ETB, RIGID, 20°



DIMENSIONS

A: 450 mm

MATERIAL AND WEIGHT

Material: Bz

Weight: 4.150 kg

COMMENTS

- For tube connection