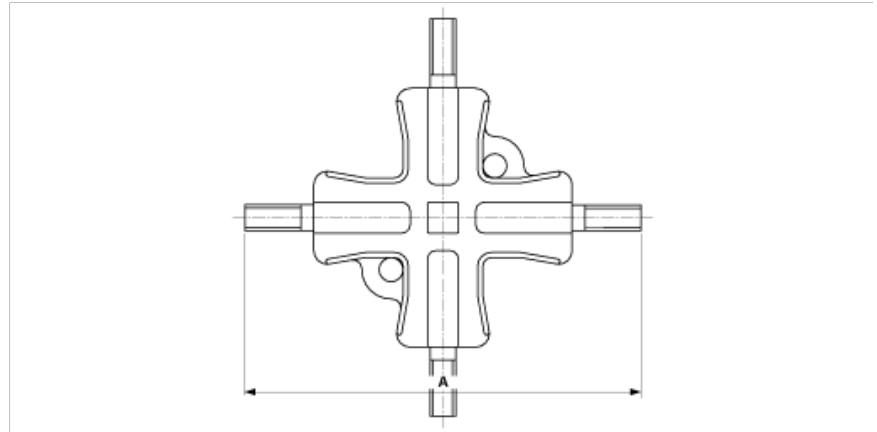


C1050-01

CROSSING PIECE ETB-ETB, RIGID, 30°



DIMENSIONS

A: 350 mm

MATERIAL AND WEIGHT

Weight: 4.350 kg

Material: Bz

COMMENTS

- For tube connection