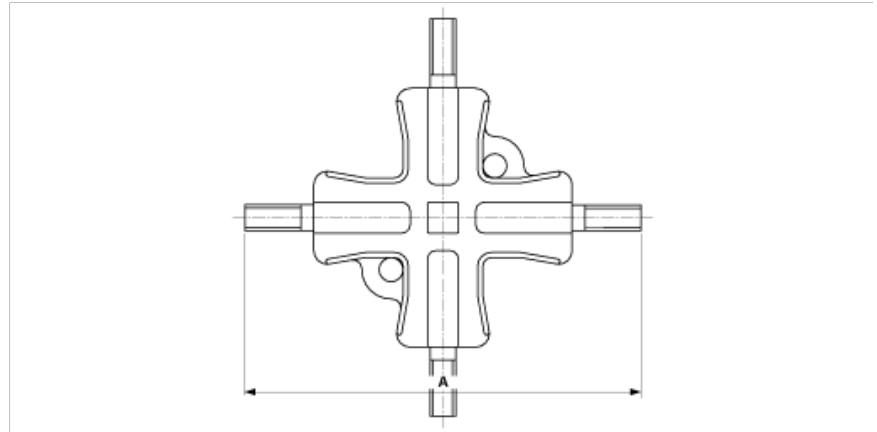


**C1052-01**

**CROSSING PIECE ETB-ETB, RIGID, 40°**



**DIMENSIONS**

A: 290 mm

**MATERIAL AND WEIGHT**

Material: Bz

Weight: 3.030 kg

**COMMENTS**

- For tube connection