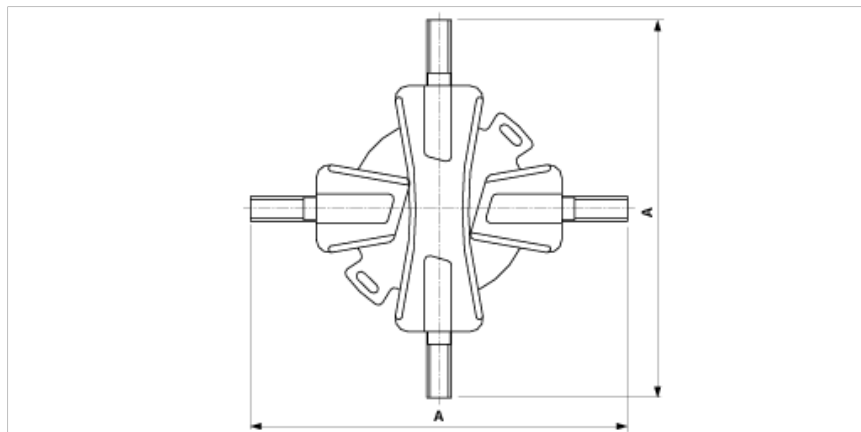
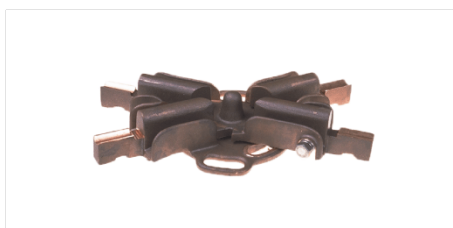


C1091-01

CROSSING PIECE ETB-ETB, ADJUSTABLE, 45°-90°



DIMENSIONS

A: 260 mm

MATERIAL AND WEIGHT

Material: Bz

Weight: 3.400 kg

COMMENTS

- Adjustable for crossing angles 45°-90°
- For tube connection