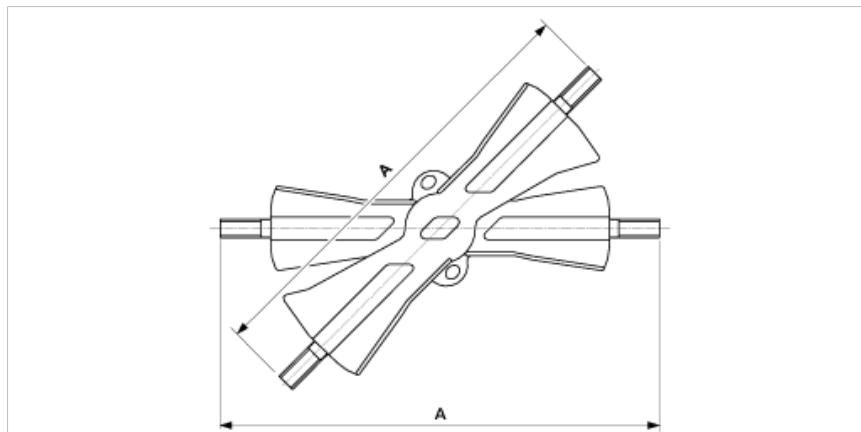


**C1152-01**

**CROSSING PIECE ETB-ETB, ADJUSTABLE, 30°–45°**



**DIMENSIONS**

A: 280 mm

**MATERIAL AND WEIGHT**

Material: Bz

Weight: 3.400 kg

**COMMENTS**

- Adjustable for crossing angles 30°-45°
- For tube connection