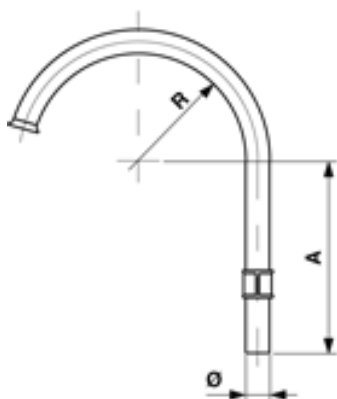


**C1286-01**

**CURVE BOW COMPLETE, G1.5" FOR SWITCH CABINETS**



**DIMENSIONS**

Ø: G1.5"

A: 387 mm

R: 220 mm

**MATERIAL AND WEIGHT**

Weight: 3.920 kg

Material: STL HDG

**COMMENTS**

- For connection to pipe Ø= 42.5 mm