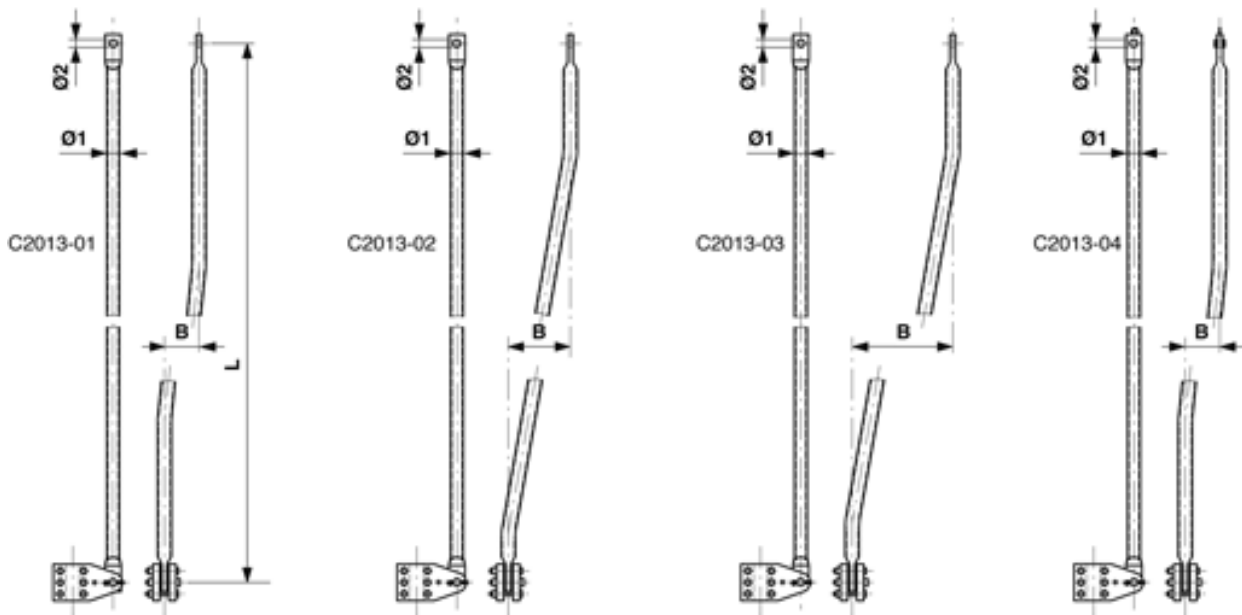


C2013-01

OPERATING ROD CURVED COMPLETE, B= 75 MM, FOR DISCONNECT SWITCH DUPLEX AND ARCING HORNS



DIMENSIONS

Ø2: 17 mm

Ø1: 30 mm

B: 75 mm

L: 1660 mm

MATERIAL AND WEIGHT

Material: Al