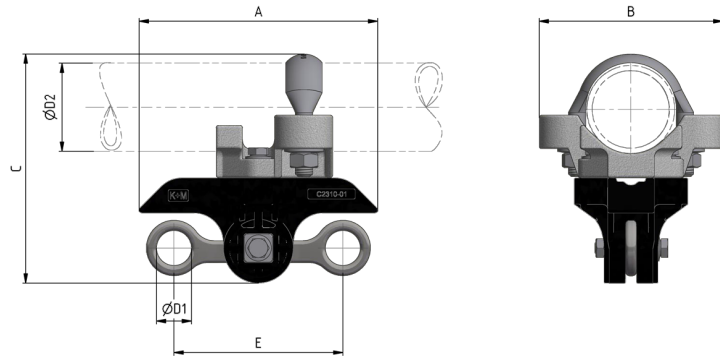


## C2366-02

# LINE INSULATOR TO PIPE 2" KUSYS TYPE 1 WITH DOUBLE SUSPENSION EYE



### DIMENSIONS

A: 164 mm  
B: 126 mm  
C: 157 mm  
E: 116 mm  
ØD1: 24 mm  
ØD2: 2" (60.3 mm)

### MATERIAL AND WEIGHT

Material: Kst / INOX / Alu  
Weight: 1.25 kg

### LOADS

Breaking load vertical: 4.2 kN  
Tightening torque for bolts and hex-nuts  
M8: 17 Nm  
Tightening torque for bolts M12: 40 Nm

### APPLICABLE STANDARDS

DIN EN 50119  
DIN EN 50124-1  
DIN EN 50151  
CEI / IEC 60060-1

### FUNCTION

Insulator body for fastening to pipes in straight segments or slight bends. Continuously adjustable double suspension eye allowing the attachment of the trolleybus pendulum or section insulators.

### SPECIFICATIONS

Operating voltage: max. 1500 V DC

### COMMENTS

The application in overhead contact lines requires a wide insulation of the support structure to the support bases.  
Optional: Exchanging the u-bolt allows mounting to pipes Ø45 – 80mm mm.  
The suspension can be mounted to cross-spans or ceilings by exchanging the clamp.