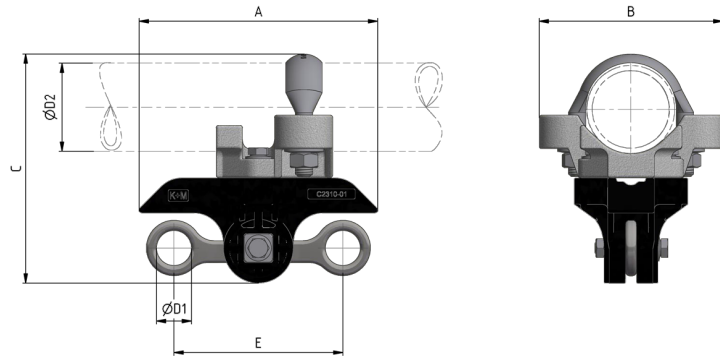


C2366-03

LINE INSULATOR KUSYS1 COMPLETE SUSPENSION DOUBLE EYE, TO PIPE 2,5"



DIMENSIONS

A: 164 mm
B: 126 mm
C: 173 mm
E: 116 mm
ØD1: 24 mm
ØD2: 2.5" (76.1 mm)

MATERIAL AND WEIGHT

Material: Kst / INOX / Alu
Weight: 1.25 kg

LOADS

Breaking load vertical: 4.2 kN
Tightening torque for bolts and hex-nuts
M8: 17 Nm
Tightening torque for bolts M12: 40 Nm

APPLICABLE STANDARDS

DIN EN 50119
DIN EN 50124-1
DIN EN 50151
CEI / IEC 60060-1

FUNCTION

Insulator body for fastening to pipes in straight segments or slight bends. Continuously adjustable double suspension eye allowing the attachment of the trolleybus pendulum or section insulators.

SPECIFICATIONS

Operating voltage: max. 1500 V DC

COMMENTS

The application in overhead contact lines requires a wide insulation of the support structure to the support bases.
Optional: Exchanging the u-bolt allows mounting to pipes Ø45 – 80mm mm.
The suspension can be mounted to cross-spans or ceilings by exchanging the clamp.