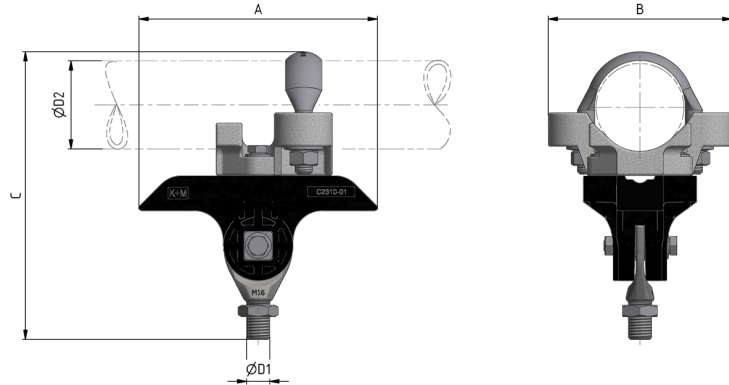


C2372-02

LINE INSULATOR TO PIPE 2" KUSYS TYPE 1 WITH SUSPENSION THREADED BOLT M16 RIGID



DIMENSIONS

A: 164 mm
B: 126 mm
C: 197 mm
ØD1: M16
ØD2: 2" (60.3 mm)

MATERIAL AND WEIGHT

Material: Kst / INOX / Alu
Weight: 1.67 kg

LOADS

Breaking load horizontal: 4.6 kN/ H: 90 mm
Tightening torque for bolts and hex-nuts
M8: 17 Nm
Tightening torque for bolts M12: 40 Nm

APPLICABLE STANDARDS

DIN EN 50119
DIN EN 50124-1
DIN EN 50151
CEI / IEC 60060-1

FUNCTION

Insulator body for fastening to pipes in straight segments or slight bends. Rigid threaded bolt suspension allowing the attachment of various railway, tramway and trolley bus components.

SPECIFICATIONS

Operating voltage: max. 1500 V DC

COMMENTS

The application in overhead contact lines requires a wide insulation of the support structure to the support bases.
Optional: Exchanging the u-bolt allows mounting to pipes Ø45 – 80mm mm. The suspension can be mounted to cross-spans or ceilings by exchanging the clamp.