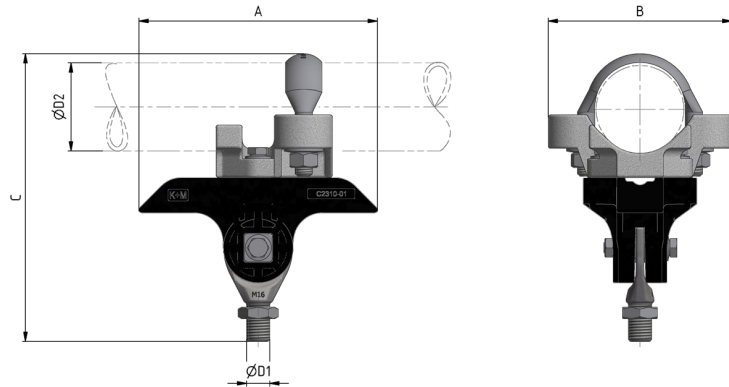


## C2372-03

# LINE INSULATOR KUSYS1 COMPLETE SUSPENSION THREADED BOLT M16 RIGID, TO PIPE 2.5"



### DIMENSIONS

A: 164 mm  
B: 126 mm  
C: 197 mm  
ØD1: M16  
ØD2: 2.5" (76.1 mm)

### MATERIAL AND WEIGHT

Material: Kst / INOX / Alu  
Weight: 1.63 kg

### LOADS

Breaking load horizontal: 4.6 kN/ H: 90 mm  
Tightening torque for bolts and hex-nuts  
M8: 17 Nm  
Tightening torque for bolts M12: 40 Nm

### APPLICABLE STANDARDS

DIN EN 50119  
DIN EN 50124-1  
DIN EN 50151  
CEI / IEC 60060-1

### FUNCTION

Insulator body for fastening to pipes in straight segments or slight bends. Rigid threaded bolt suspension allowing the attachment of various railway, tramway and trolley bus components.

### SPECIFICATIONS

Operating voltage: max. 1500 V DC

### COMMENTS

The application in overhead contact lines requires a wide insulation of the support structure to the support bases.  
Optional: Exchanging the u-bolt allows mounting to pipes Ø45 – 80mm mm. The suspension can be mounted to cross-spans or ceilings by exchanging the clamp.