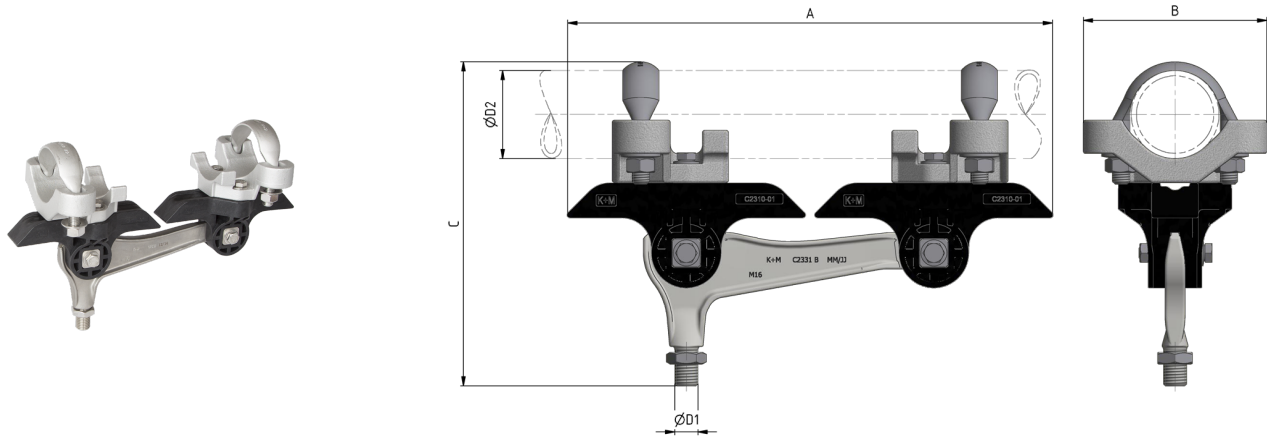


C2382-03

LINE INSULATOR KUSYS2 COMPLETE PULL-OFF LEVER ARM SUSPENSION THREADED BOLT M16 RIGID, TO PIPE 2.5"



DIMENSIONS

A: 334 mm

B: 126 mm

C: 240 mm

ØD1: M16

ØD2: 2.5" (76.1 mm)

MATERIAL AND WEIGHT

Material: Kst / INOX / Alu

Weight: 2.7 kg

LOADS

Breaking load horizontal: 7.5 kN

Tightening torque for bolts and hex-nuts

M8: 17 Nm

Tightening torque for bolts M12: 40 Nm

APPLICABLE STANDARDS

DIN EN 50119

DIN EN 50124-1

DIN EN 50151

CEI / IEC 60060-1

FUNCTION

Insulator body for fastening to pipes, in medium to narrow bends. Rigid threaded bolt suspension allowing the attachment of various railway, tramway and trolley bus components.

SPECIFICATIONS

Operating voltage: max. 1500 V DC

COMMENTS

The application in overhead contact lines requires a wide insulation of the support structure to the support bases.

Optional: Exchanging the u-bolt allows mounting to pipes Ø45 – 80mm. The suspension can be mounted to cross-spans or ceilings by exchanging the clamp.