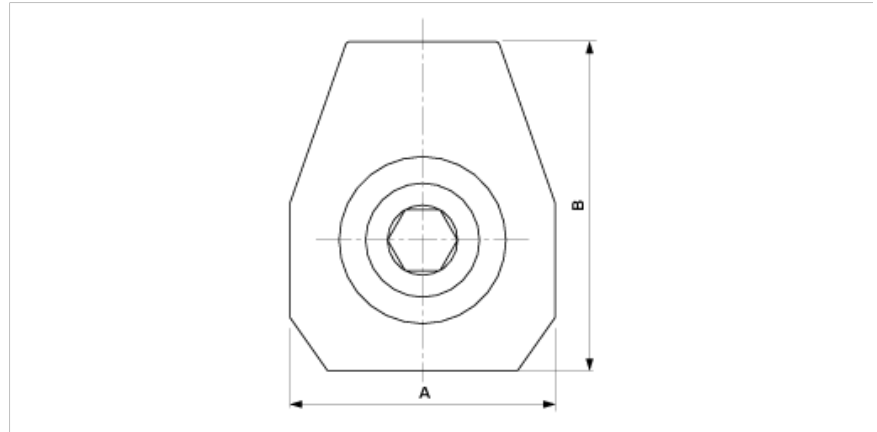


**D0134-01**

**CONTACT WIRE CLAMP ETB FOR GROOVED CONTACT WIRE 100-120 MM<sup>2</sup>**



**DIMENSIONS**

A: 35 mm

B: 43.3 mm

**MATERIAL AND WEIGHT**

Weight: 0.100 kg

Material: CuAl

**COMMENTS**

- For grooved contact wire 80 till 120 mm<sup>2</sup>

(Other contact wire sections on request)