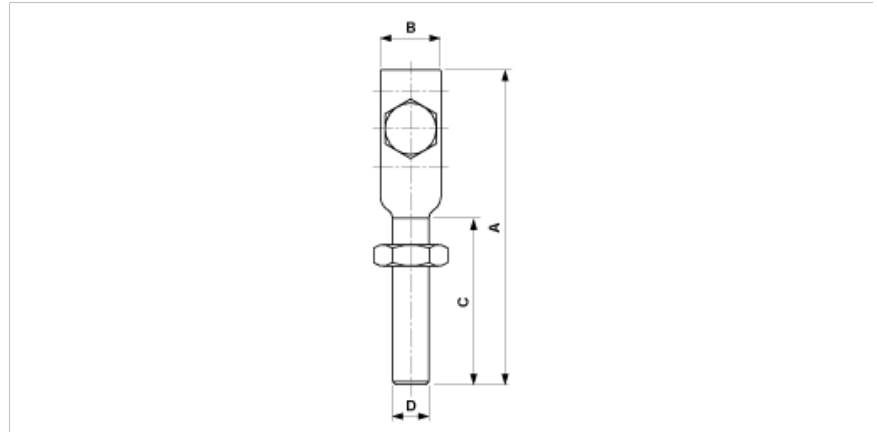


D0528-01

**SUPPORTING CLAMP FOR SWITCHES AND CROSSINGS, 1/2", THREADED
LENGTH L = 55 MM**



DIMENSIONS

B: 20 mm

A: 104 mm

C: 55 mm

D: 1/2"

MATERIAL AND WEIGHT

Weight: 0.200 kg

Material: CuNiSi