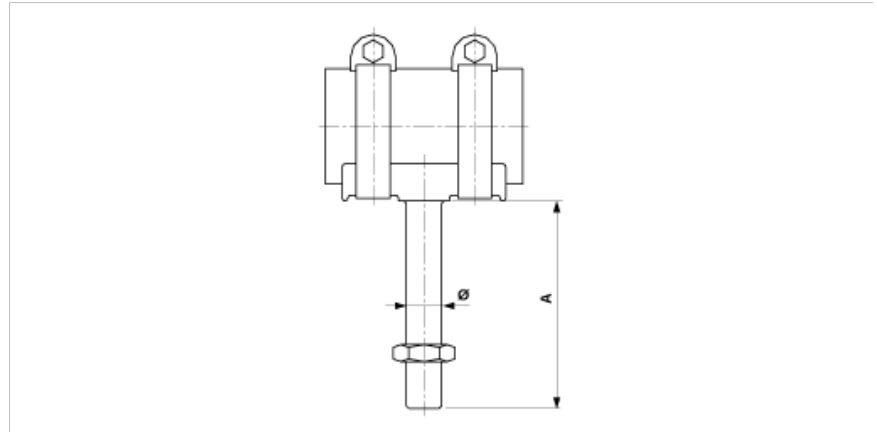


**D2174-01**

**INSULATED SUPPORT FOR RUBBER TUBE INSULATION**



**DIMENSIONS**

A: 68 mm

Ø: Ww 0.5"

**MATERIAL AND WEIGHT**

Weight: 0.245 kg

**COMMENTS**

- For suspension of switch and crossing pieces  
to contact wire insulation with insulation tube