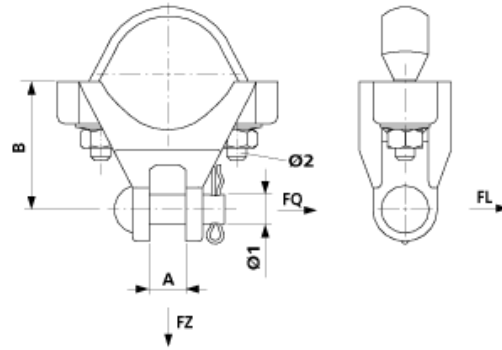


D2336-04

PIPE ATTACHMENT COMPLETE, WITH U-BOLT, TO PIPE $\varnothing = 90$ MM



DIMENSIONS

B: 70 mm

A: 20 mm

Ø1: 16 mm

Ø2: M12

MATERIAL AND WEIGHT

Material: Al/SST

LOADS

Breaking load F along: of clevis fork 14.0 kN

Breaking load F across: of clevis fork 4.5 kN

Breaking load F on traction: 30.0 kN

COMMENTS

- Additional executions on request