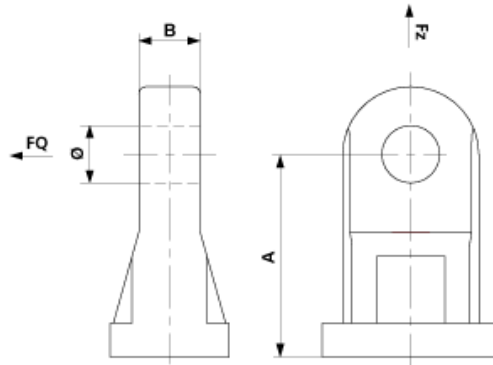


**D2356-01**

**TONGUE COMPLETE FOR UNIVERSAL POLE BRACKET**



**DIMENSIONS**

B: 18 mm

Ø: 17 mm

A: 60 mm

**MATERIAL AND WEIGHT**

Material: Al

Weight: 0.170 kg

**LOADS**

Breaking load F across: 18 kN

Breaking load F on traction: 38 kN