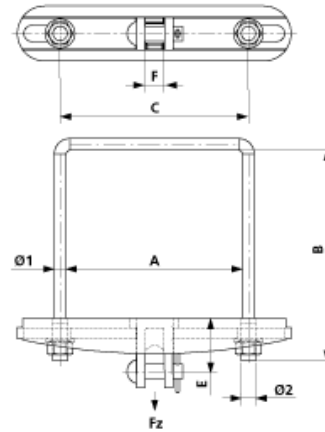
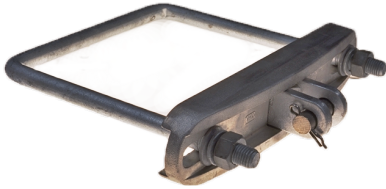


D2358-03

UNIVERSAL POLE BRACKET WITH CLEVIS, COMPLETE, TO HEB 200



DIMENSIONS

Ø1: 16 mm

Ø2: M16

Ø3: 16 mm

E: 57.5 mm

F: 21 mm

A: 206 mm

B: 240 mm

C: 222 mm

MATERIAL AND WEIGHT

Weight: 2.300 kg

Material: Al/STL HDG

LOADS

Breaking load F on traction: 38 kN

COMMENTS

- With pins 16 x 50 and cotter pin SST
- Universal pole brackets w/ clevis fork vertical complete to poles HEA, HEM and other poles dimensions on request

PART LIST

1	E0888-03
1	C1852-01
1	E3250-01