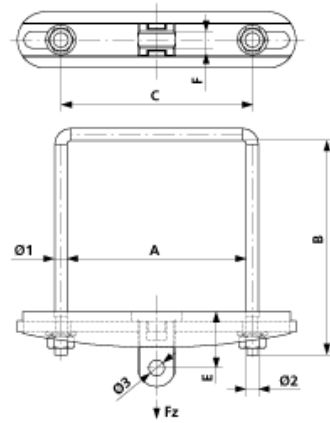
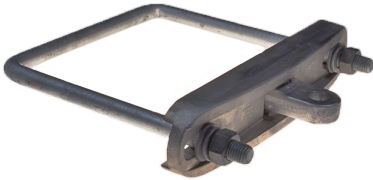


D2359-04

UNIVERSAL POLE BRACKET WITH TONGUE, COMPLETE, TO HEB 220



DIMENSIONS

A: 226 mm

B: 260 mm

C: 242 mm

Ø3: 17 mm

E: 60 mm

F: 18 mm

Ø1: 16 mm

Ø2: M16

MATERIAL AND WEIGHT

Material: A1/STL HDG

Weight: 2.340 kg

LOADS

Breaking load F on traction: 38 kN

COMMENTS

- Universal pole brackets w/ clevis eye complete to poles HEA, HEM and other poles dimensions on request

PART LIST

1	E0888-04
1	C1852-01
1	D2356-01