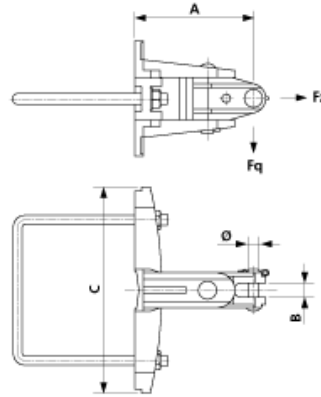
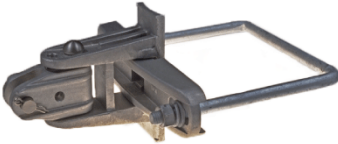


D2360-04

HINGE UNIVERSAL WITH CLEVIS FORK VERTICAL, COMPLETE, TO HEB 220



DIMENSIONS

B: 20 mm

Ø: 16 mm

A: 168 mm

C: 164.5 mm

MATERIAL AND WEIGHT

Material: Al/SST

Weight: 3.450 kg

LOADS

Breaking load F on traction: 38 kN

Breaking load F across: 14 kN

Breaking moment: with installation locking device 950 Nm

COMMENTS

- Attachment to poles HEB 180-240
- The bracket for the hinge complete, part no. C1853-01 or C1873-01 (wide) and the U-bolt Ø= 16 mm (STL HDG) is included
- Hinge to poles HEA, HEM and other poles dimensions on request

PART LIST

1	E0888-04
1	D2361-01
1	C1853-01