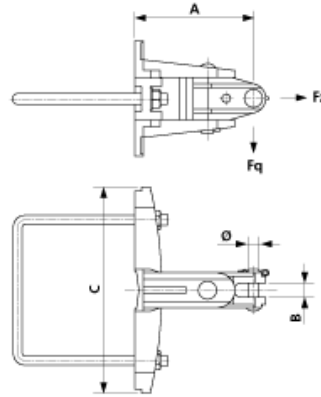
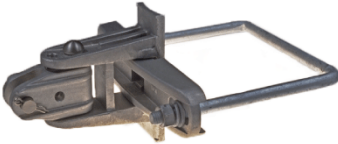


D2360-05

HINGE UNIVERSAL WITH CLEVIS FORK VERTICAL, COMPLETE, TO HEB 240



DIMENSIONS

A: 168 mm
C: 164.5 mm
B: 20 mm
Ø: 16 mm

MATERIAL AND WEIGHT

Material: Al/SST
Weight: 3.550 kg

LOADS

Breaking load F across: 14 kN
Breaking moment: with installation locking device 950 Nm
Breaking load F on traction: 38 kN

COMMENTS

- Attachment to poles HEB 180-240
- The bracket for the hinge complete, part no. C 1853-01 or C 1873-01 (wide) and the U-bolt Ø= 16 mm (STL HDG) is included
- Hinge to poles HEA, HEM and other poles dimensions on request

PART LIST

1	E0888-05
1	D2361-01
1	C1853-01