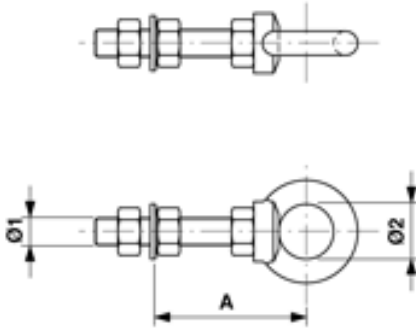


## D2532-02

### OPERATING ROD GUIDE COMPLETE TO DISCONNECT SUPPORT BRACKET



#### DIMENSIONS

Ø1: M16

Ø2: 35 mm

A: 62-106 mm

#### MATERIAL AND WEIGHT

Material: SST

#### COMMENTS

- The attachment material to disconnect support structures is included