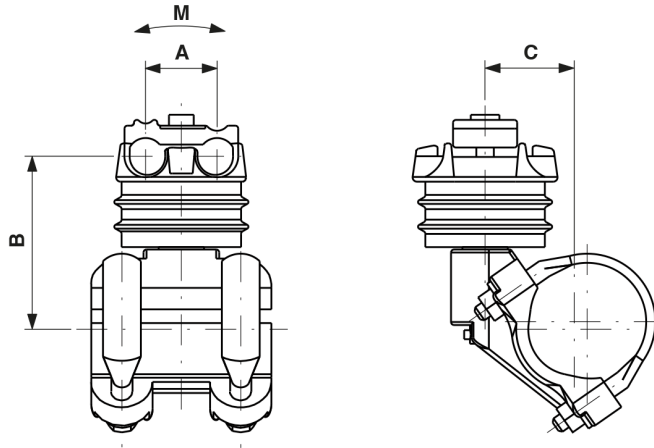


D2559-02

MESSANGER CABLE SUSPENSION INSULATED, ROTATABLE, REINFORCED, TO PIPE 2.5", CABLE Ø MAX. 21 MM



DIMENSIONS

A: 49 mm

B: 119.5 mm

C: 61.8 mm

MATERIAL AND WEIGHT

Material: Al/SST/Synth.

LOADS

Breaking moment M: 1680 Nm

SPECIFICATIONS

Operating voltage: max. 1500 V DC, max.
1000 V AC

COMMENTS

- The installation side of the messenger cable has to be selected so that the lateral force cause by the curve pull act in direction of the cap screw
- For cable diameter
- Ø= 10-16 mm and 21 mm
- Use for other cable diameter on request
- Additional messenger cable suspensions for 3000 V DC on request