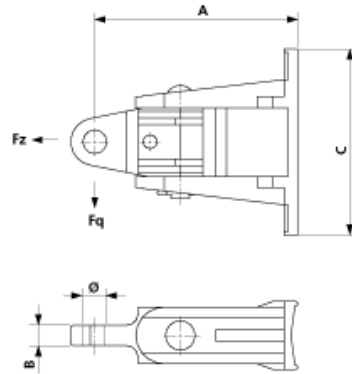
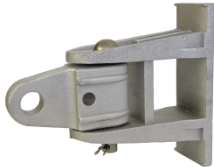


D2563-01

HINGE WITH TONGUE VERTICAL, COMPLETE, TO ROUND POLE



DIMENSIONS

B: 18 mm

Ø: 21 mm

C: 164.5 mm

A: 178 mm

MATERIAL AND WEIGHT

Weight: 1.320 kg

Material: Al/SST

LOADS

Breaking load F on traction: 38 kN

Breaking load F across: 14 kN

Breaking moment: with installation locking device 950 Nm

COMMENTS

- Attachment to round poles $D = > 150$ mm
- Pole clamps with band to be ordered separately
- The attachment material to bracket (straight or inclined) must be ordered separately