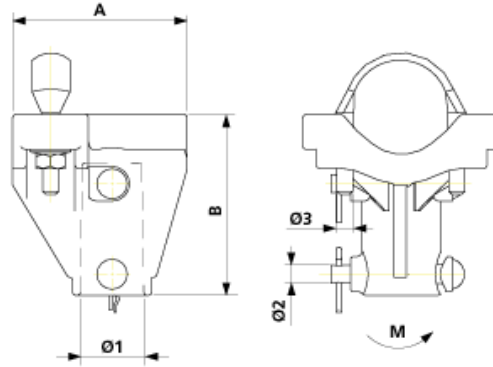


D2579-01

DROP BRACKET CLAMP FOR PIPE, COMPLETE, MOVABLE, REINFORCED, TO PIPE 2"



DIMENSIONS

A: 115 mm
Ø1: 39 mm
Ø2: 12 mm
Ø3: M12
B: 120 mm

MATERIAL AND WEIGHT

Material: Al/SST

LOADS

Failing bending moment M: to pipe 2950
Nm

COMMENTS

- Flat U-bolt M12 SST
- Pin and cotter pin SST
- Drop bracket clamps with flat U-bolt, side mounted to pipe, complete and other pipe diameter on request