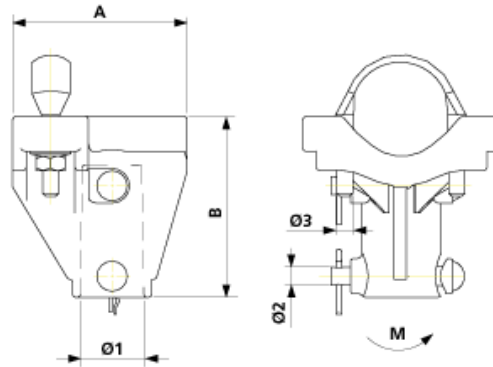


## D2579-03

### DROP BRACKET CLAMP FOR PIPE, COMPLETE, MOVABLE, REINFORCED, TO PIPE $\varnothing = 70$ MM



#### DIMENSIONS

A: 115 mm  
 $\varnothing 1$ : 39 mm  
 $\varnothing 2$ : 12 mm  
 $\varnothing 3$ : M12  
B: 120 mm

#### MATERIAL AND WEIGHT

Material: Al/SST

#### LOADS

Failing bending moment M: to pipe 2950  
Nm

#### COMMENTS

- Flat U-bolt M12 SST
- Pin and cotter pin SST
- Drop bracket clamps with flat U-bolt, side mounted to pipe, complete and other pipe diameter on request