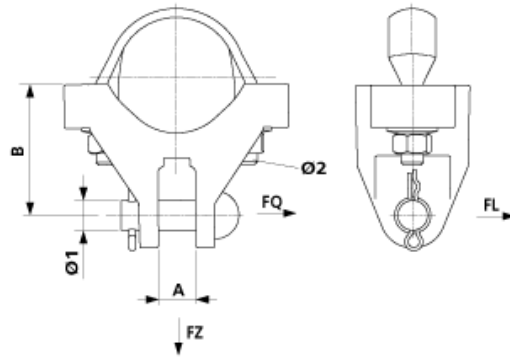


D3027-02

PIPE ATTACHMENT COMPLETE, WITH U-BOLT, TO PIPE G2.5", REINFORCED



DIMENSIONS

B: 70 mm

A: 20 mm

Ø1: 16 mm

Ø2: M12

MATERIAL AND WEIGHT

Material: Al/SST

Weight: 0.790 kg

LOADS

Breaking load F across: of clevis fork 4.5
kN

Breaking load F along: of clevis fork 30.0
kN

Breaking load F on traction: 30.0 kN

COMMENTS

- Additional executions on request