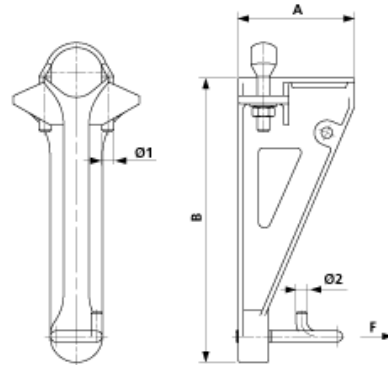


**D3124-01**

**DROP BRACKET CLAMP FOR STEADY ARMS, COMPLETE, 1 STEADY ARM,  
TO PIPE 1.5"**



**DIMENSIONS**

B: 285 mm

A: 115 mm

$\varnothing 1$ : M12

$\varnothing 2$ : 10.900 mm

**MATERIAL AND WEIGHT**

Weight: 1.120 kg

Material: Al/SST

**LOADS**

Breaking load F: 5.6 kN