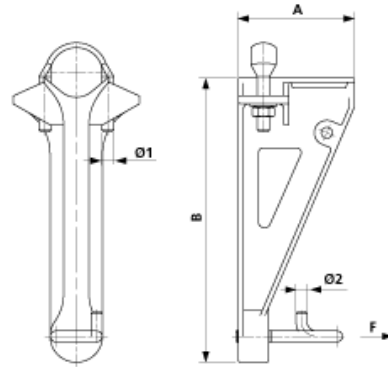


## D3124-05

### DROP BRACKET CLAMP FOR STEADY ARMS, COMPLETE, 1 STEADY ARM, TO PIPE $\varnothing = 70$ MM



#### DIMENSIONS

B: 285 mm

A: 115 mm

$\varnothing 1$ : M12

$\varnothing 2$ : 10.900 mm

#### MATERIAL AND WEIGHT

Weight: 1.120 kg

Material: Al/SST

#### LOADS

Breaking load F: 5.6 kN