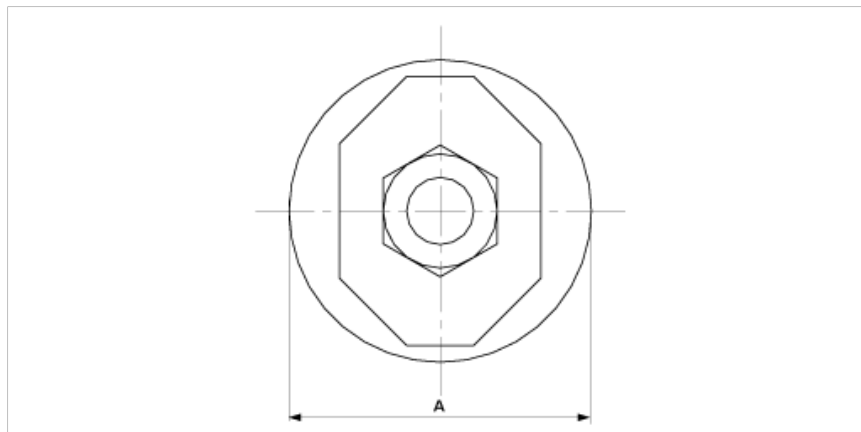


**E0140-01**

**CROSSING CLAMP FOR MESSENGER CABLE AND GROOVED CONTACT WIRE**



**DIMENSIONS**

A: 45 mm

**MATERIAL AND WEIGHT**

Weight: 0.160 kg

Material: SST