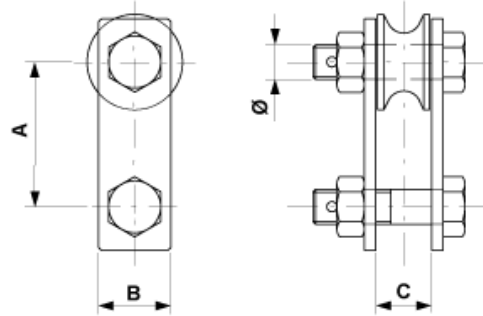
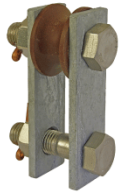


**E1543-01**

**STRAP DOUBLE WITH INSULATING ROLLER**



**DIMENSIONS**

B: 50 mm

Ø: M24

A: 100 mm

C: 38 mm

**MATERIAL AND WEIGHT**

Weight: 2.000 kg

Material: STL HDG

**LOADS**

Breaking load: 140 kN

**SPECIFICATIONS**

Breakdown voltage: 23 kV/mm

Creep resistance: (KC) 100

**COMMENTS**

- Roller insulated in synthetic material