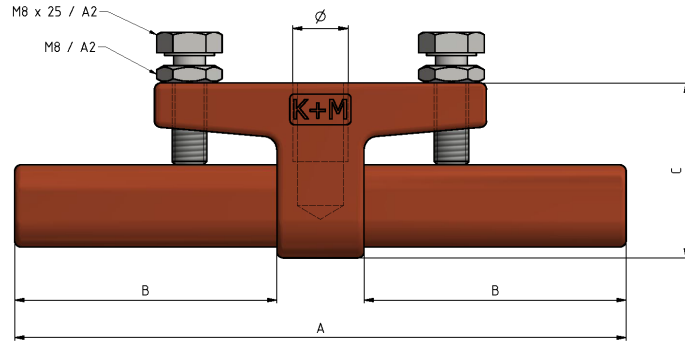


E1944-01

CLAMPING CONNECTOR FOR OVAL COPPER TUBE



DIMENSIONS

C: 40 mm

B: 60 mm

A: 140 mm

Ø: 1/2-12 BSW

MATERIAL AND WEIGHT

Weight: 0.430 kg

Material: Cu

COMMENTS

- For tube connection (on both sides)
- Cu-tube must be clamped