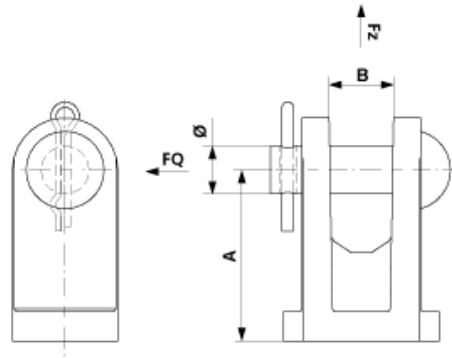


E3250-01

CLEVIS COMPLETE FOR UNIVERSAL POLE BRACKET



DIMENSIONS

A: 57.5 mm

Ø: 16 mm

B: 21 mm

MATERIAL AND WEIGHT

Weight: 0.270 kg

Material: Al/SST

LOADS

Breaking load F across: 4 kN

Breaking load F on traction: 38 kN

COMMENTS

- With pins 16 x 50 and cotter pin SST