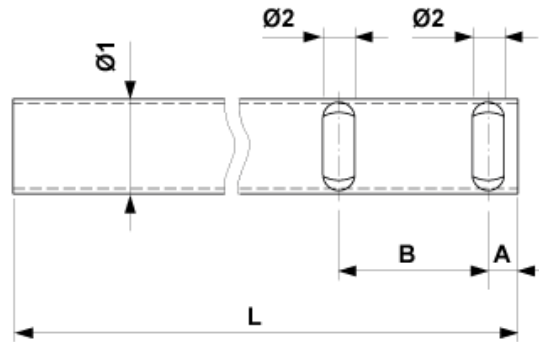


## E3314-05

PIPE  $\varnothing = 38$  MM FOR DROP BRACKET CLAMP MOVABLE  $\pm 15^\circ$ , L = 230 MM



### DIMENSIONS

B: 60 mm

A: 12 mm

$\varnothing 1$ : 38 mm

L: 230 mm

$\varnothing 2$ : 12.8 mm

### MATERIAL AND WEIGHT

Weight: 0.520 kg

Material: SST

### COMMENTS

- Other lengths on request