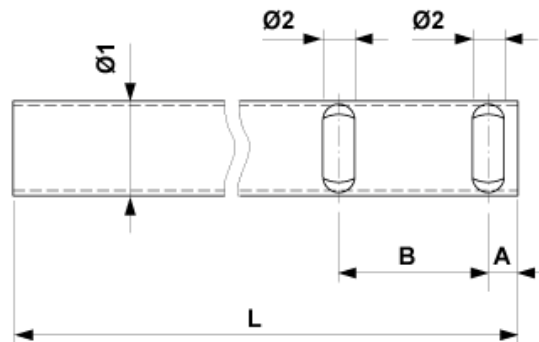


## E3314

PIPE  $\varnothing = 38$  MM FOR DROP BRACKET CLAMP MOVABLE  $\pm 15^\circ$



### DIMENSIONS

B: 60 mm

A: 12 mm

$\varnothing 1$ : 38 mm

$\varnothing 2$ : 12.8 mm

L=190 mm (E3314-01)

L=335 mm (E3314-02)

L=520 mm (E3314-03)

L=220 mm (E3314-04)

L=230 mm (E3314-05)

L=380 mm (E3314-06)

L=365 mm (E3314-07)

L=290 mm (E3314-08)

L=620 mm (E3314-09)

### MATERIAL AND WEIGHT

Weight: 0.430 kg

Material: SST

### COMMENTS

- Other lengths on request